

OPERATOR'S MANUAL

INCLUDING: OPERATION, INSTRUCTION, INSTALLATION, MAINTENANCE AND PARTSBOOK

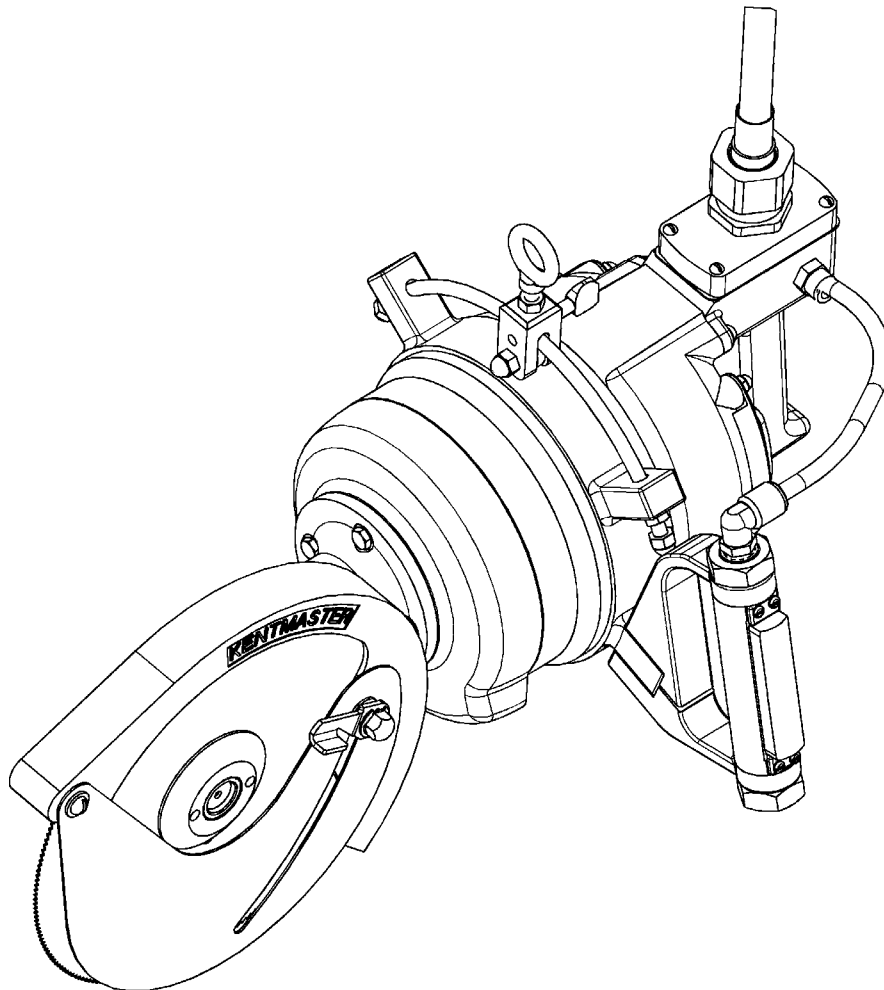
**IMPORTANT: READ THIS MANUAL CAREFULLY BEFORE INSTALLING, OPERATING OR
SERVICING THIS TOOL.**

SUPER SPEED MULTI- PURPOSE BREAKING SAW

TOOL DATA

MODEL: SUPER SPEED
ASSEMBLY NO.: 1000200
TYPE: ELECTRICAL OPERATED
2HP MOTOR
NET WEIGHT: 46 lbs (21 kg)

**360° Rotation for Cutting at All Angles
Powerful Cutting Action
Easy to Clean and Sanitize**



INDEX

TOOL DATA.....	1
INDEX	2
PLACING INTO SERVICE	3
INSTALLATION INSTRUCTIONS	4
OPERATING INSTRUCTIONS	4
MAINTENANCE	4
BLADE REMOVAL AND CLEANING.....	4
SERVICE.....	4
SPARE PARTS LIST	5
PARTS BOOK.....	6
SUPER SPEED – MAIN ASSEMBLY	6
MOTOR ASSEMBLY	8
NOSE GEAR ASSEMBLY	13
NOSE GEAR ASSEMBLY FOR 8”, 9” & 10” BLADE.....	13
NOSE GEAR ASSEMBLY FOR 11” & 12” BLADE.....	14
BLADE DEPTH GAUGE.....	15
DEPTH GAUGE FOR 9” & 10” BLADE	15
POWER SUPPLY.....	16
WIRING DIAGRAM.....	18
3 PHASE – DIFFERENT MOTOR AND CONTROL VOLTAGE, w/o ATD	19
3 PHASE – SAME MOTOR AND CONTROL VOLTAGE, w/o ATD.....	20
3 PHASE – DIFFERENT MOTOR AND CONTROL VOLTAGE, with ATD	21
3 PHASE – SAME MOTOR AND CONTROL VOLTAGE, with ATD	22
HANDLES	23
REAR HANDLE.....	23
FRONT HANDLE	24
NOTICE TO EMPLOYER AND PURCHASER OF TOOL.....	25
DECLARATION OF CONFORMITY	26
Kentmaster Worldwide Location	27
Figure 1 1000200: SUPER SPEED - MAIN ASSEMBLY.....	6
Figure 2 SUPER SPEED - BOM	7
Figure 3 MOTOR ASSEMBLY w/STATOR for 8”, 9” & 10” BLADES	8
Figure 4 1001571: MOTOR w/o STATOR (8”, 9” & 10” BLADE).....	9
Figure 5 MOTOR ASSEMBLY w/STATOR for 11 & 12” BLADES.....	10
Figure 6 1001572: MOTOR w/o STATOR (11” & 12” BLADES).....	11
Figure 7 1003700: YOKE ASSEMBLY	12
Figure 8 1003830: CARRIER ASSEMBLY	12
Figure 9 1001540: NOSE GEAR ASSEMBLY FOR 8” 9” & 10” BLADE.....	13
Figure 10 1001760: NOSE GEAR ASSEMBLY FOR 11” & 12” BLADE	14
Figure 11 6001190: DEPTH GAUGE FOR 9” & 10” BLADE	15
Figure 12 6001191: DEPTH GAUGE FOR 8” BLADE.....	15
Figure 13 1002420: POWER CORD ASSEMBLY, NON 42V.....	16
Figure 14 1002430: POWER CORD ASSEMBLY, 42V	16
Figure 15 1002425: POWER CORD, NON 42V, w/ATD.....	17
Figure 16 ELECTRIC MOTOR LEAD HOOKUP DIAGRAM.....	18
Figure 17 WIRING DIAGRAM – different control and motor voltage, w/o ATD.....	19
Figure 18 WIRING DIAGRAM – same control and motor voltage, w/o ATD	20
Figure 19 WIRING DIAGRAM – different control and motor voltage, with ATD.....	21
Figure 20 WIRING DIAGRAM – same control and motor voltage, with ATD	22
Figure 21 1001560: REAR HANDLE ASSEMBLY	23
Figure 22 1003900: FRONT HANDLE.....	24




GENERAL INFORMATION









COVERING: SAFETY PRECAUTIONS AND PLACING INTO SERVICE

SUPER SPEED**READ THIS MANUAL CAREFULLY BEFORE INSTALLING, OPERATING OR SERVICING THIS TOOL**

IT IS THE RESPONSIBILITY OF THE EMPLOYER TO PLACE THIS INFORMATION INTO THE HANDS OF THE OPERATOR.

PLACING INTO SERVICE

- | | |
|--|--|
|  WARNING | = Hazards or unsafe practices which could result in severe personal injury, death, or substantial property damage. |
|  CAUTION | = Hazards or unsafe practices which could result in minor personal injury, product, or property damage. |
|  NOTICE | = Important installation, operation or maintenance information. |

- | | |
|--|---|
|  WARNING | Installation, adjustment repair and maintenance of this tool must be made by trained and qualified personnel. |
|  WARNING | Always disconnect power supply from tool before:
(A) Installing or removing blades from tool.
(B) Making repairs or adjustments to the tool.
(C) Performing maintenance or cleanup work. |
|  WARNING | Do not operate this tool until you have received training in the handling, operation and use of this tool. |
|  WARNING | Stop using a malfunctioning or defective tool immediately, report any problems or defects to your supervisor for removal of the tool from service. |
|  WARNING | Never place your hand or any part of your body in the cutting path of the tool. |
|  WARNING | Do not activate control switches or triggers of this tool unless you intend to test or operate this tool. |
|  WARNING | Never make alterations or modifications to this tool. |
|  WARNING | Remove and disconnect power from the tool when tool is left unattended or not in use. |

INSTALLATION INSTRUCTIONS

⚠ WARNING ALL ELECTRICAL WIRING MUST BE DONE BY A LICENSED ELECTRICIAN IN ACCORDANCE WITH THE NATIONAL, STATE AND LOCAL ELECTRICAL CODES. (REFER TO NAMEPLATE ON TOOL FOR PROPER POWER CONFIGURATION).

1. A BALANCER IS REQUIRED FOR OPERATION AND USE OF THIS TOOL. WEIGHT OF TOOL MUST FALL WITHIN WEIGHT RANGE OF BALANCER.
2. INSTALL BALANCER ABOVE WORK AREA. BALANCER MUST HAVE SUFFICIENT VERTICAL TRAVEL SO OPERATOR CAN REACH ENTIRE WORK AREA WITH TOOL WITHOUT STRAIN.
3. ADJUST BALANCER ACCORDING TO THE OPERATOR'S PREFERENCE AND COMFORT.
4. TOOL REQUIRES GREASING AFTER EVERY 40 HOURS OF OPERATION. GREASE USING KENTMASTER GREASE (PART NO. 7903030 FOR BEARINGS AND 7903090 FOR GEARS).

OPERATING INSTRUCTIONS

⚠ WARNING ONLY TRAINED PERSONNEL ARE TO OPERATE THIS TOOL.

1. TO HELP ENSURE TOOL IS OPERATING PROPERLY, PERFORM FOLLOWING STEPS AT START OF EACH SHIFT:
 - MAKE SURE TOOL MOVES UP AND DOWN FREELY WHILE HANGING FROM BALANCER OVERHEAD.
 - WITH POWER TO TOOL TURNED ON, TEST TRIGGER FOR PROPER OPERATION.
 - DEPRESS EACH TRIGGER SEPARATELY. TOOL SHOULD NOT ACTIVATE. DEPRESS BOTH TRIGGERS. TOOL SHOULD ACTIVATE.
 - IF TOOL HAS "ANTI-TIE DOWN" OPTION, BOTH TRIGGERS MUST BE DEPRESSED SIMULTANEOUSLY FOR TOOL TO ACTIVATE.
2. HOLD TOOL FIRMLY IN HAND WITH TRIGGER LEVERS IN POSITION TO BE ACTIVATED BY FINGERS.
3. SQUEEZE TRIGGERS TO ACTIVATE TOOL, RELEASE TRIGGERS TO DEACTIVATE TOOL.
4. POSITION TOOL AND PERFORM CUTTING OPERATION.
5. DO NOT LAY TOOL DOWN WHEN TOOL IS NOT BEING USED

MAINTENANCE

⚠ WARNING ONLY TRAINED AND QUALIFIED PERSONNEL ARE TO PERFORM MAINTENANCE AND SERVICE TO THIS TOOL.

1. TOOL REQUIRES GREASING AFTER EVERY 40 HOURS OF OPERATION. GREASE USING KENTMASTER GREASE (PART NO. 7903030 FOR BEARINGS AND 7903090 FOR GEARS)

BLADE REMOVAL AND CLEANING

⚠ WARNING ALWAYS DISCONNECT POWER SUPPLY FROM TOOL BEFORE INSTALLING OR REMOVING BLADES FROM TOOL.

1. REMOVE BLADE NUT (PART NO. 6003180, FIG. NO. 9 AND 10) USING WRENCH (4501610)
2. REMOVE BLADE.
3. SHARPEN BLADES WHEN NECESSARY.
5. REASSEMBLE ALL PARTS IN REVERSE ORDER.

SERVICE

1. KEEP GOOD RECORDS OF ALL SERVICE ACTIVITY AND INCLUDE TOOL IN YOUR PREVENTIVE MAINTENANCE PROGRAM.
2. USE ONLY GENUINE KENTMASTER REPLACEMENT PARTS TO ASSURE PROPER PERFORMANCE OF TOOL.
3. CONTACT THE KENTMASTER SUPPLIER NEAREST YOU FOR PARTS AND CUSTOMER SERVICE INFORMATION.

SPARE PARTS LIST

PART NO.	DESCRIPTION	QTY
4000230	8" Saw Blade	2
4000110	9" Saw Blade	2
4000060	10" Saw Blade	2
4000280	10" Saw blade	2
4000080	11" Saw Blade	2
4000520	12" Saw Blade	2
3204050	Bearing – Motor	1
3304050	Bearing – Motor	1
3601150	Bearing- Hanger Carrier	1
2000690	Switch, Front Handle	1
1002050	Gasket, Rear Handle	1
2000540	Switch, Rear Handle	1
2000090	Boot-Moisture Seal – Rear Handle	1
See chart	Contactora, Magnetic Starter	1
See chart	Relay, Magnetic Starter	1
1000400	Bevel/Spur Gear	1
1000410	Pinion	1
1000440	Gasket, Gear Nose	1
1000740	Driven Spur Gear	1
3521020	Bearing, Double Row, Gear Nose	1
3524030	Bearing, Gear Nose	1
3650020	Bearing Cone	2
3650030	Bearing Cup	2
7885580	Seal, Gear Nose	1

ACCESSORIES

SAW BLADE / BLADE GUARD	PART NO.
8" SAW BLADE / 8" BLADE GUARD	4000230 / 6003250
9" SAW BLADE / 9" BLADE GUARD	4000110 / 1000280
10" SAW BLADE / 10" BLADE GUARD	4000060 / 1000280
11" SAW BLADE / 11" BLADE GUARD	4000080 / 1000280
12" SAW BLADE / 12" BLADE GUARD	4000520 / 6001890

ACCESSORIES	PART NO.
DEPTH GAUGE FOR 8" BLADE	6001191
DEPTH GAUGE FOR 9" & 10" BLADE	6001190
ANTI-TIEDOWN CONTROL OPTION	1002425
MAGNETIC STARTER BOX ASSEMBLY	See option chart (Fig. 2)
SPRING BALANCER, 44 - 55 Lbs, 6.5 ft TRAVEL	7100320

PARTS BOOK

SUPER SPEED – MAIN ASSEMBLY

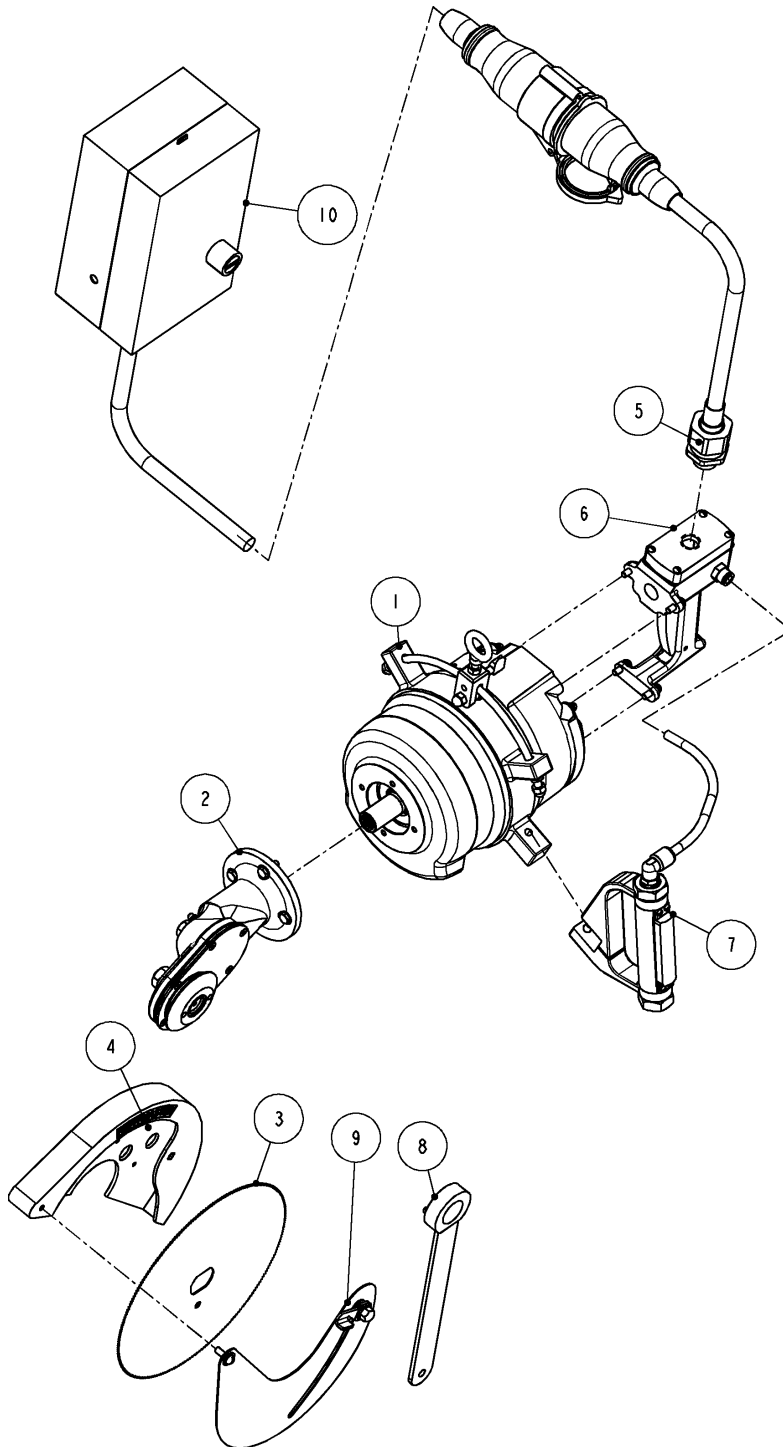


Figure 1 1000200: SUPER SPEED - MAIN ASSEMBLY

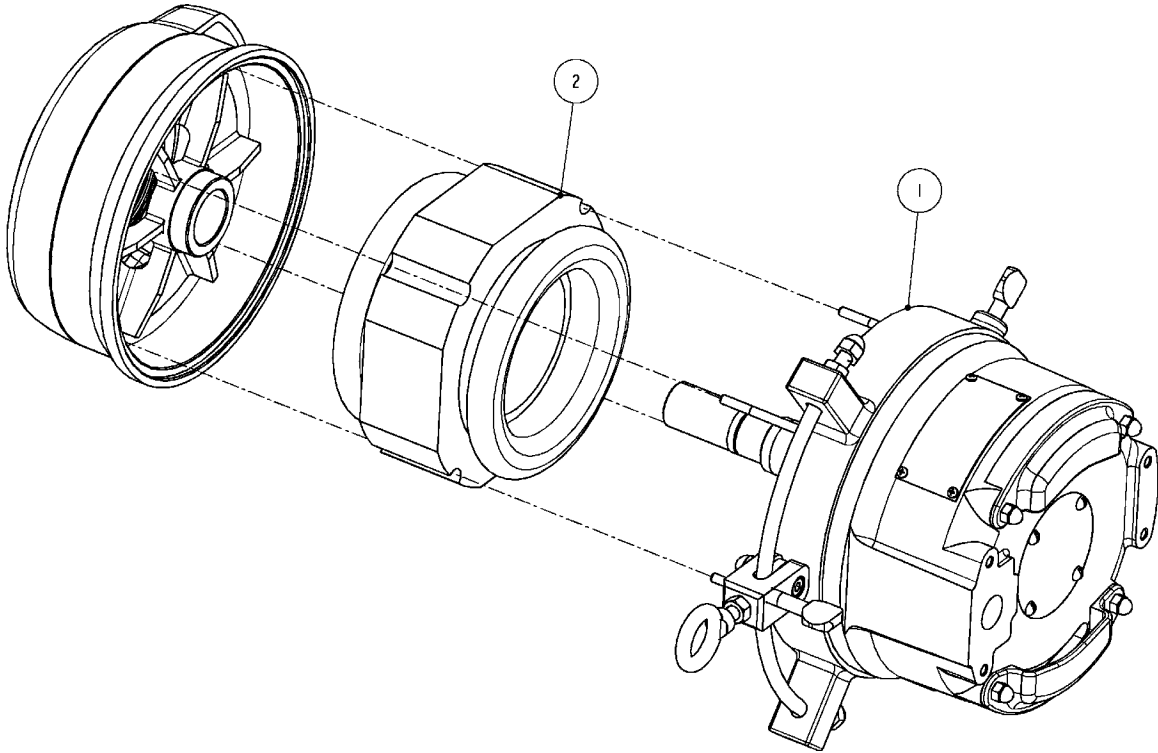
KENTMASTER MFG. CO., INC. 1801 SOUTH MOUNTAIN AVE., MONROVIA, CALIFORNIA 91016 UNITED STATES OF AMERICA

☎ TELEPHONE: (818) 359-8888 FAX: (818) 303-5151

1000200: SUPER SPEED			
ITEM	PART #	DESCRIPTION	QTY
1	OPTIONS	2HP MOTOR ASSEMBLY	1
2	1001540	NOSE GEAR ASSEMBLY, 8", 9" & 10"	1
	1001760	NOSE GEAR ASSEMBLY, 11" & 12"	1
3	4000230	8" SAW BLADE(150 TEETH)	1
	4000110	9" THIN RIM SAW BLADE (240 TEETH)	1
	4000060	10" SAW BLADE (220 TEETH)	1
	4000280	10" SAW BLADE (120 TEETH)	1
	4000080	11" SAW BLADE (240 TEETH)	1
	4000520	12" SAW BLADE (240 TEETH)	1
4	6003250	GUARD FOR 8" BLADE	1
	1000280	GURAD FOR 9" & 10" BLADE	1
	6001890	GUARD FOR 11" & 12" BLADE	1
5	1002420	POWER SUPPLY, NON 42V MOTOR OPTIONS	1
	1002430	POWER SUPPLY, 42V MOTOR OPTIONS	1
	1002425	POWER SUPPLY,NON 42V, ANTI-TIE DOWN	1
6	1001560	REAR HANDLE ASSEMBLY	1
7	1003900	FRONT HANDLE ASSEMBLY	1
8	4501610	WRENCH / TOOL	1
9	6001190	DEPTH GAUGE FOR 9" & 10" BLADE	1
	6001191	DEPTH GAUGE FOR 8" BLADE	1
10	OPTIONS	MAGNETIC STARTER BOX	1

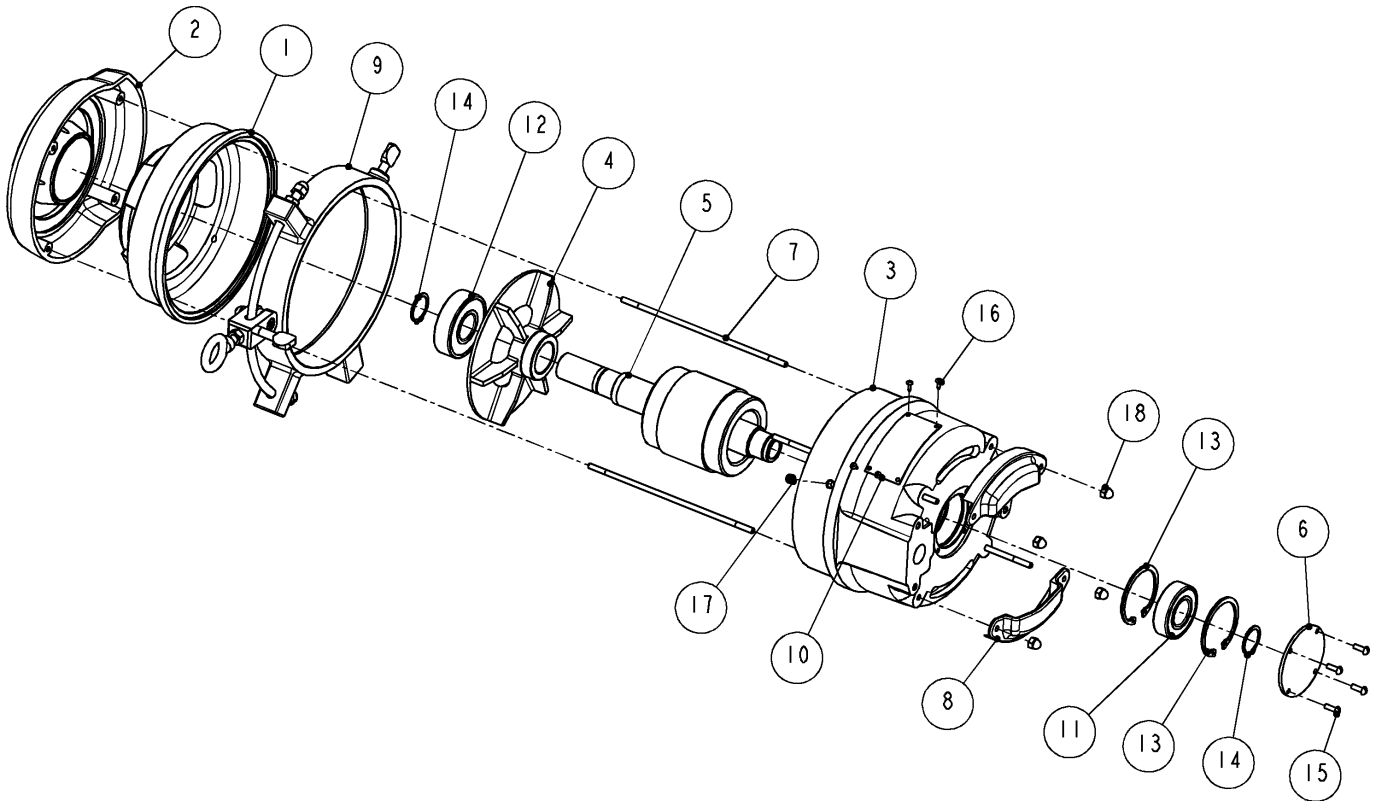
Figure 2 SUPER SPEED - BOM

MOTOR ASSEMBLY



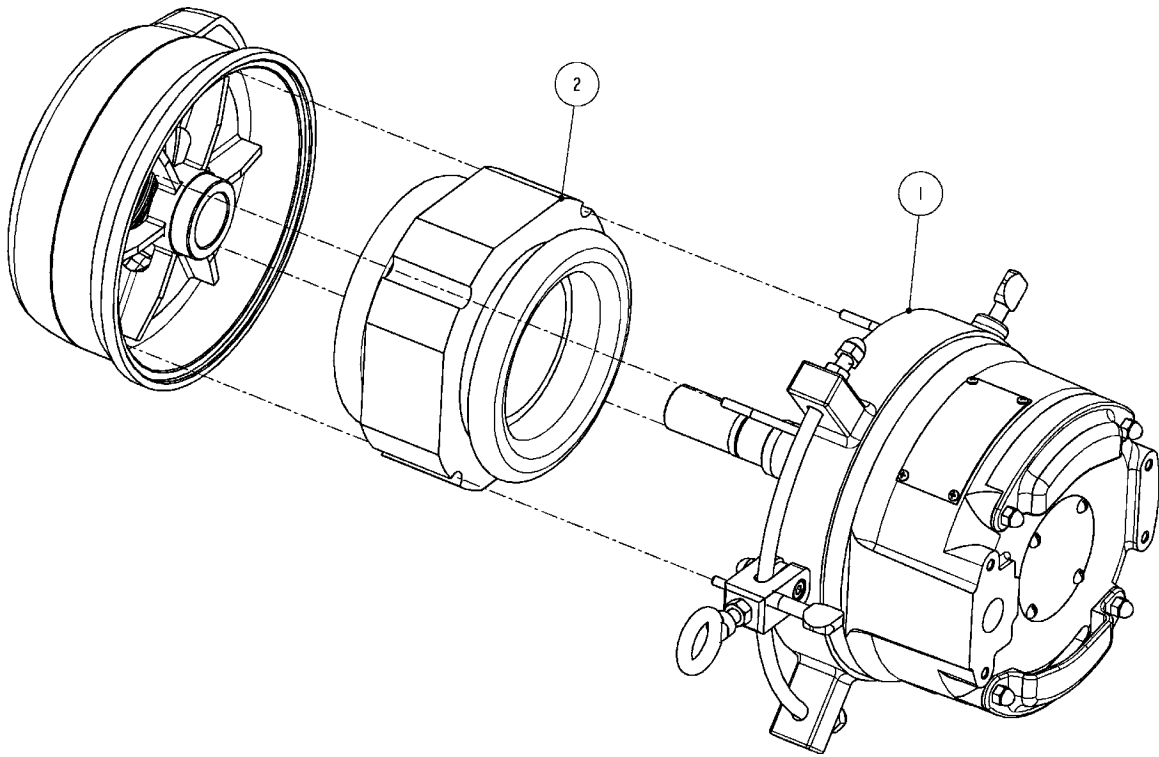
MOTOR ASSEMBLY 2HP, 380V, 3PH, 50HZ, 3.2AMPS	1001555-380-350	2311420	1001571
MOTOR ASSEMBLY 2HP, 220V, 3PH, 50HZ, 5.5AMPS	1001555-220-350	2311420	1001571
MOTOR ASSEMBLY 2HP, 230V, 3PH, 50HZ, 5.3AMPS	1001554-230-350	2311410	1001571
MOTOR ASSEMBLY 2HP, 115V, 3PH, 50HZ, 10.6AMPS	1001554-115-350	2311410	1001571
MOTOR ASSEMBLY 2HP, 42V, 3PH, 50HZ, 30AMPS	1001550-42	2311400	1001571
MOTOR ASSEMBLY 2HP, 460V, 3PH, 60HZ, 2.6AMPS	1001553-460-360	2310401	1001571
MOTOR ASSEMBLY 2HP, 230V, 3PH, 60HZ, 5.2AMPS	1001553-230-360	2310401	1001571
MOTOR ASSEMBLY 2HP, 550V, 3PH, 60HZ, 2.2AMPS	1001550-550	2310380	1001571
MOTOR ASSEMBLY 2HP, 416V, 3PH, 60HZ, 2.9AMPS	1001552-416-360	2310340	1001571
MOTOR ASSEMBLY 2HP, 208V, 3PH, 60HZ, 5.8AMPS	1001552-208-360	2310340	1001571
MOTOR OPTION DESCRIPTION	MOTOR ASSEMBLY	#2 STATOR	#1 MOTOR w/o STATOR
MOTOR ASSEMBLY FOR 8", 9" & 10" BLADE			

Figure 3 MOTOR ASSEMBLY w/STATOR for 8", 9" & 10" BLADES



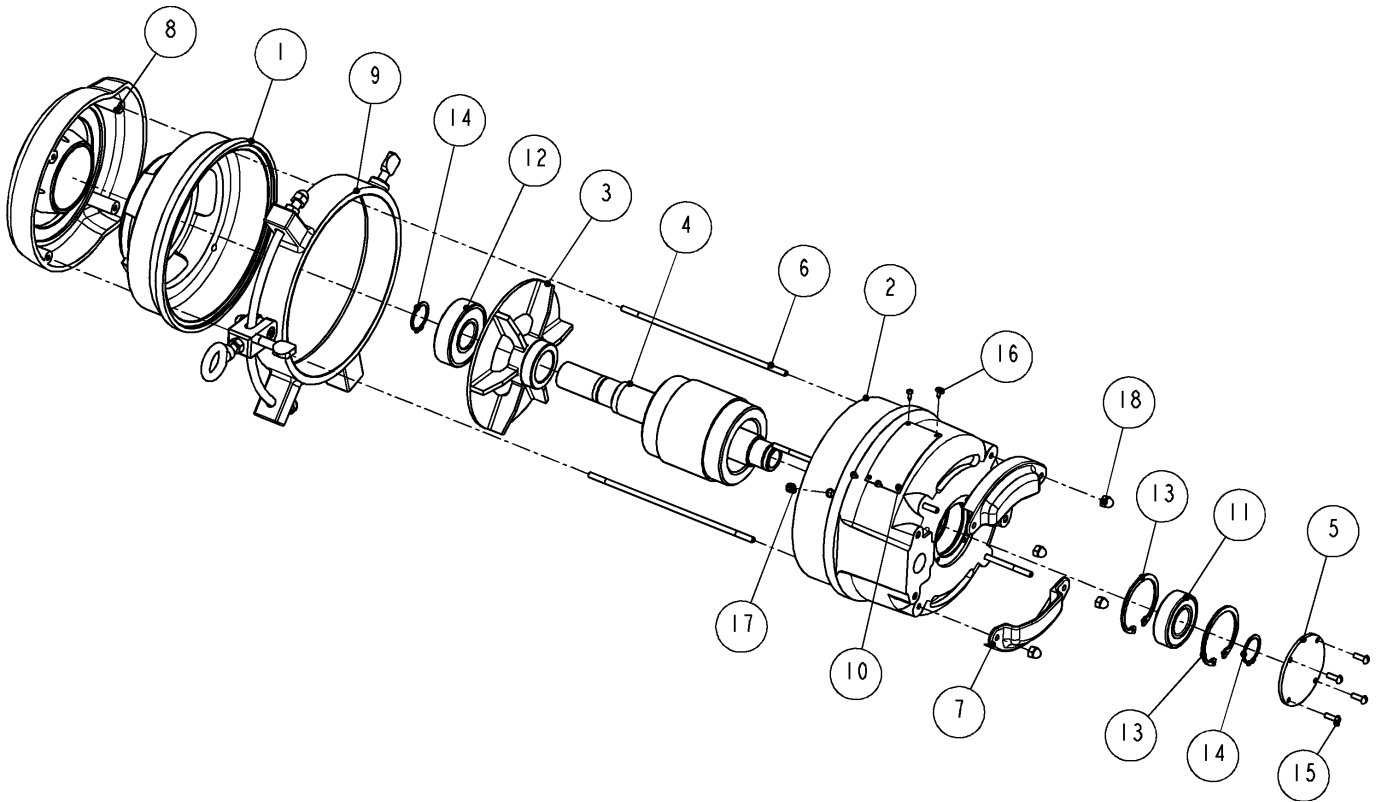
1001571: MOTOR w/o STATOR (8", 9" & 10" BLADE)			
ITEM	PART #	DESCRIPTION	QTY
1	1000220	HOUSING - FAN	1
2	1000230	FRONT END BELL	1
3	1000240	END BELL	1
4	1000270	FAN	1
5	1000291	ROTOR AND SHAFT ASSEMBLY	1
6	1000390	COVER END BELL	1
7	1000460	TIE ROD	4
8	1000480	DEFLECTOR - AIR	2
9	1003700	YOKE ASSEMBLY	1
10	2000040	NAME PLATE	1
11	3204050	BEARING	1
12	3304050	BEARING	1
13	5002060	RETAINING RING	2
14	5100980	RETAINING RING	2
15	8028040	SCREW	4
16	8081020	SCREW	4
17	8313020	SET SCREW	1
18	8501090	NUT	4

Figure 4 1001571: MOTOR w/o STATOR (8", 9" & 10" BLADE)



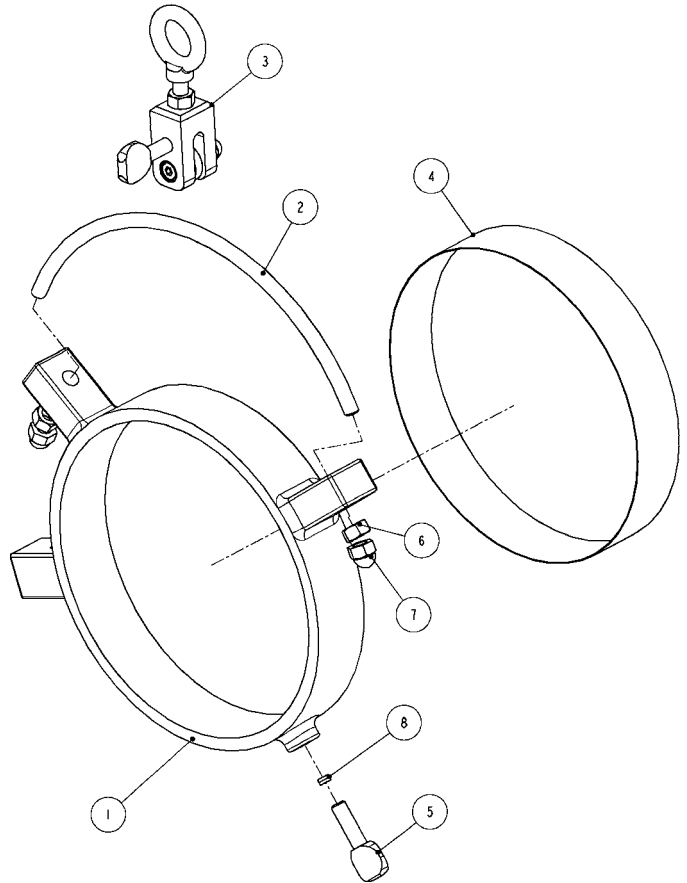
MOTOR ASSEMBLY 2HP, 380V, 3PH, 50HZ, 3.2AMPS	1001845-380-350	2311420	1001572
MOTOR ASSEMBLY 2HP, 220V, 3PH, 50HZ, 5.5AMPS	1001845-220-350	2311420	1001572
MOTOR ASSEMBLY 2HP, 230V, 3PH, 50HZ, 5.3AMPS	1001844-230-350	2311410	1001572
MOTOR ASSEMBLY 2HP, 115V, 3PH, 50HZ, 10.6AMPS	1001844-115-350	2311410	1001572
MOTOR ASSEMBLY 2HP, 42V, 3PH, 50HZ, 30AMPS	1001840-42	2311400	1001572
MOTOR ASSEMBLY 2HP, 460V, 3PH, 60HZ, 2.6AMPS	1001843-460-360	2310401	1001572
MOTOR ASSEMBLY 2HP, 230V, 3PH, 60HZ, 5.2AMPS	1001843-230-360	2310401	1001572
MOTOR ASSEMBLY 2HP, 550V, 3PH, 60HZ, 2.2AMPS	1001840-550	2310380	1001572
MOTOR ASSEMBLY 2HP, 416V, 3PH, 60HZ, 2.9AMPS	1001842-416-360	2310340	1001572
MOTOR ASSEMBLY 2HP, 208V, 3PH, 60HZ, 5.8AMPS	1001842-208-360	2310340	1001572
MOTOR OPTION DESCRIPTION	MOTOR ASSEMBLY	#2 STATOR	#1 MOTOR w/o STATOR
MOTOR ASSEMBLY FOR 11" & 12" BLADE			

Figure 5 MOTOR ASSEMBLY w/STATOR for 11 & 12" BLADES



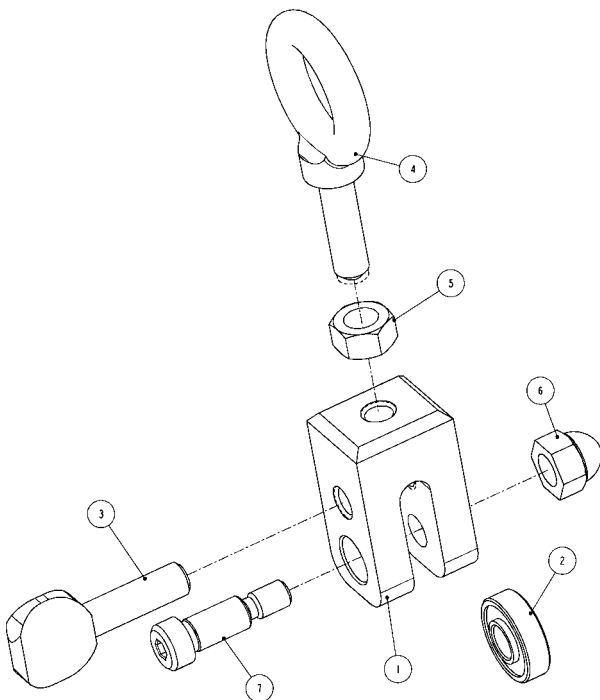
1001572: MOTOR w/o STATOR (11" & 12" BLADES)			
ITEM	PART #	DESCRIPTION	QTY
1	1000220	HOUSING - FAN	1
2	1000240	END BELL	1
3	1000270	FAN	1
4	1000291	ROTOR AND SHAFT ASSEMBLY	1
5	1000390	COVER END BELL	1
6	1000460	TIE ROD	4
7	1000480	DEFLECTOR - AIR	2
8	1000760	FRONT END BELL	1
9	1003700	YOKE ASSEMBLY	1
10	2000040	NAME PLATE	1
11	3204050	BEARING	1
12	3304050	BEARING	1
13	5002060	RETAINING RING	2
14	5100980	RETAINING RING	2
15	8028040	SCREW	4
16	8081020	SCREW	4
17	8313020	SET SCREW	1
18	8501090	NUT	4

Figure 6 1001572: MOTOR w/o STATOR (11" & 12" BLADES)



1003700: YOKE ASSEMBLY			
ITEM	PART #	DESCRIPTION	QTY
1	1003810	HANGER YOKE	1
2	1003820	ROD - HANGER	1
3	1003830	ASSEMBLY CARRIER	1
4	3850010	NYLON BEARING STRIP	1
5	8443080	SCREW	1
6	8500130	NUT	2
7	8501130	NUT	2
8	8703020	PLUG	1

Figure 7 1003700: YOKE ASSEMBLY



1003830: CARRIER ASSEMBLY			
ITEM	PART #	DESCRIPTION	QTY
1	1003860	CARRIER - BEARING	1
2	3601150	BEARING	1
3	8443080	SCREW	1
4	8463070	SHOULDER EYE BOLT	1
5	8500130	NUT	1
6	8501130	NUT	1
7	8870220	SCREW	1

Figure 8 1003830: CARRIER ASSEMBLY

NOSE GEAR ASSEMBLY

NOSE GEAR ASSEMBLY FOR 8", 9" & 10" BLADE

1001540: NOSE GEAR ASSEMBLY (8", 9" & 10" BLADE)							
ITEM	PART #	DESCRIPTION	QTY	ITEM	PART #	DESCRIPTION	QTY
1	1000360	COVER GEAR NOSE	1	16	5001560	RETAINING RING	1
2	1000400	BEVEL/SPUR GEAR	1	17	6003180	NUT - BLADE	1
3	1000410	PINION	1	18	7017110	GREASE FITTING	1
4	1000440	GASKET	1	19	7885580	SEAL	1
5	1000740	DRIVEN SPUR GEAR	1	20	8270530	SCREW	6
6	1001430	GEAR NOSE HOUSING	1	21	8411060	SCREW	4
7	1001520	SHAFT	1	22	8500470	NUT	1
8	1001530	SHAFT	1	23	8500520	NUT	1
9	3000030	LOCKWASHER	1	24	8600440	KEY	2
10	3001030	LOCKNUT	1	25	8705000	WASHER	3
11	3521020	BEARING - DOUBLE ROW	1	26	8705010	WASHER	1
12	3524030	BEARING	1	27	8705470	WASHER	1
13	3650020	BEARING CONE	2	28	8712030	SPRING WASHER	2

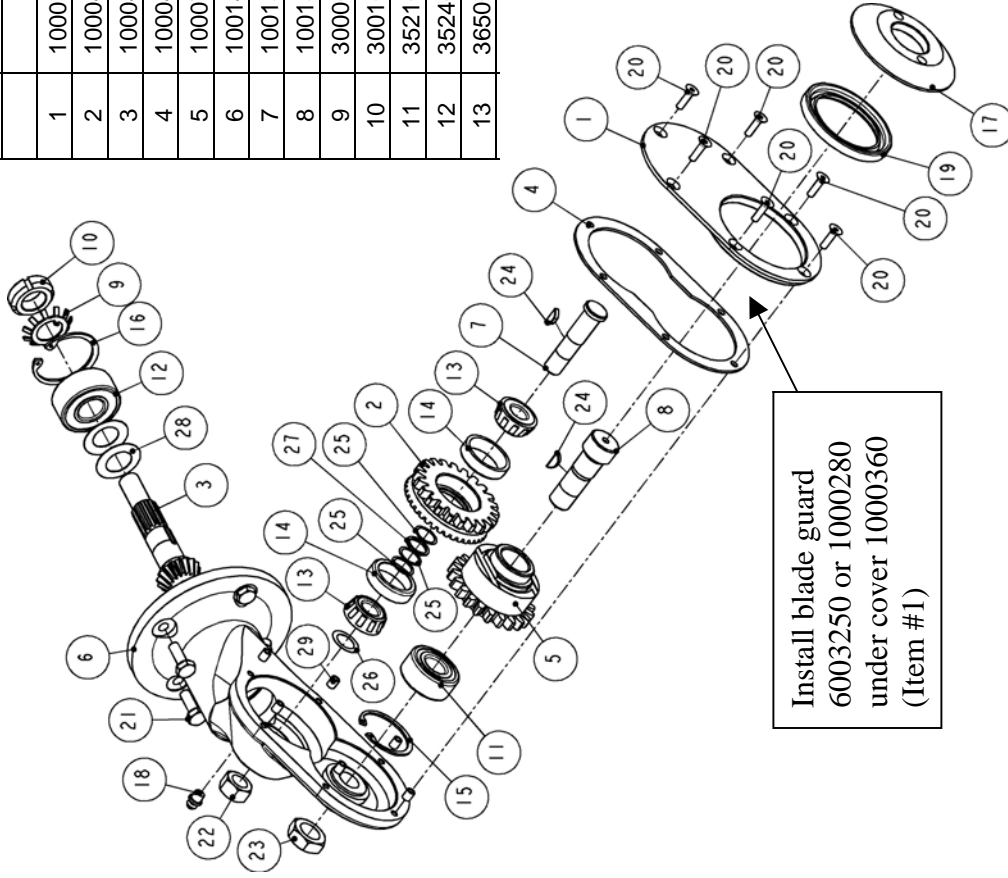


Figure 9 1001540: NOSE GEAR ASSEMBLY FOR 8" 9" & 10" BLADE

NOSE GEAR ASSEMBLY FOR 11" & 12" BLADE

1001760: NOSE GEAR ASSEMBLY (11" & 12" BLADE)							
ITEM	PART #	DESCRIPTION	QTY	ITEM	PART #	DESCRIPTION	QTY
1	1001580	COVER GEAR NOSE	1	16	5001560	RETAINING RING	1
2	1000400	BEVEL/SPUR GEAR	1	17	6003180	NUT - BLADE	1
3	1000410	PINION	1	18	7017110	GREASE FITTING	1
4	1000440	GASKET	2	19	7885580	SEAL	1
5	1000740	DRIVEN SPUR GEAR	1	20	8270530	SCREW	6
6	1001520	SHAFT	1	21	8411060	SCREW	3
7	1001530	SHAFT	1	22	8500470	NUT	1
8	1001750	GEAR NOSE HOUSING	1	23	8500520	NUT	1
9	3000030	LOCKWASHER	1	24	8600440	KEY	2
10	3001030	LOCKNUT	1	25	8705000	WASHER	3
11	3521020	BEARING - DOUBLE ROW	1	26	8705010	WASHER	1
12	3524030	BEARING	1	27	8705470	WASHER	1
13	3650020	BEARING CONE	2	28	8712030	SPRING WASHER	2
14	3650030	BEARING CUP	2	29	8803080	INSERT	6
15	5001370	RETAINING RING	1				

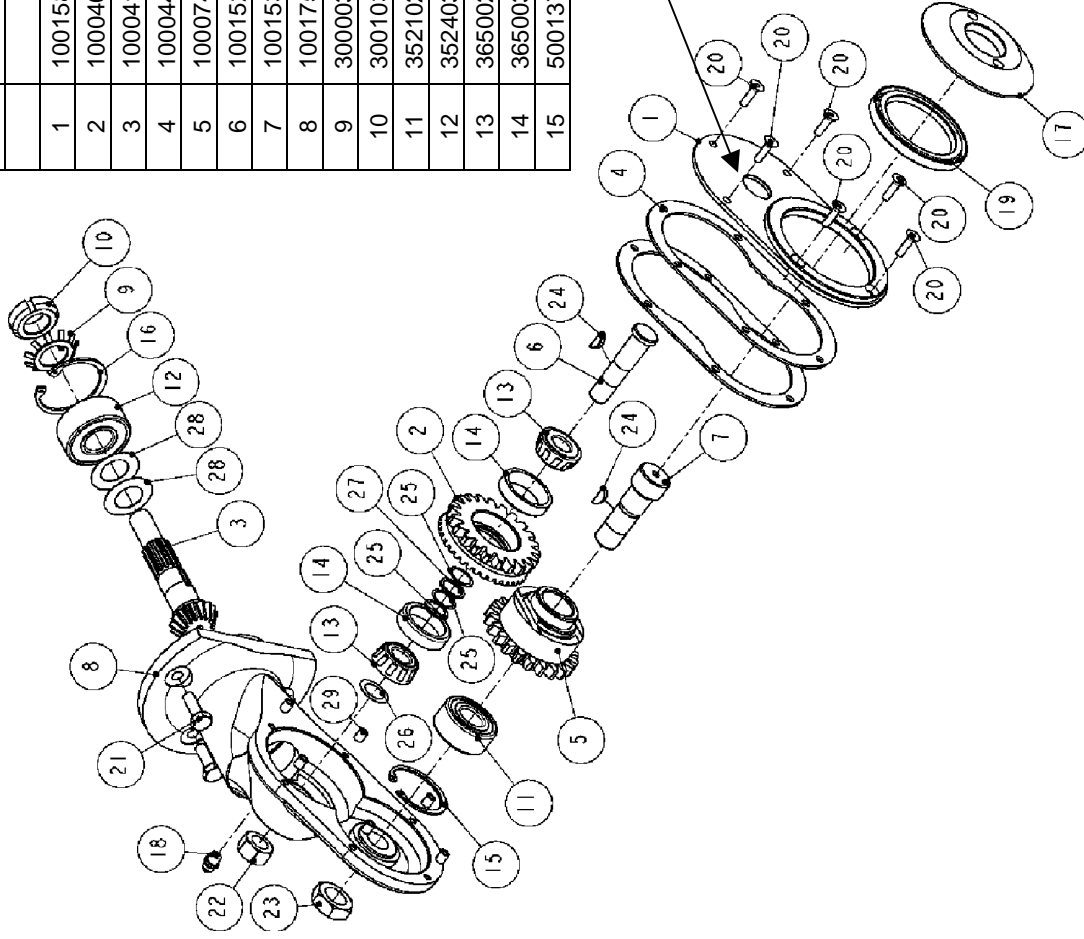
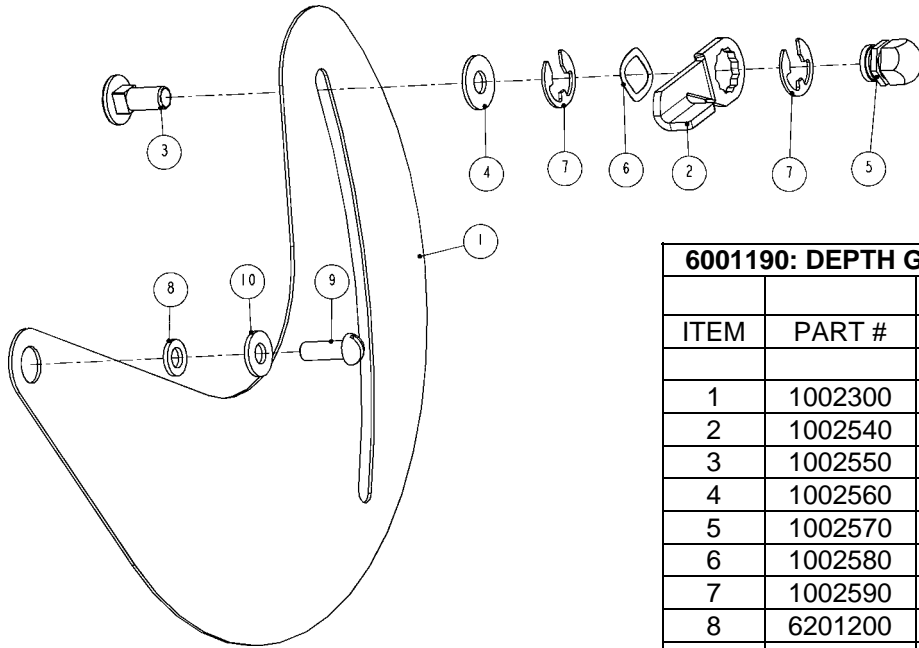


Figure 10 1001760: NOSE GEAR ASSEMBLY FOR 11" & 12" BLADE

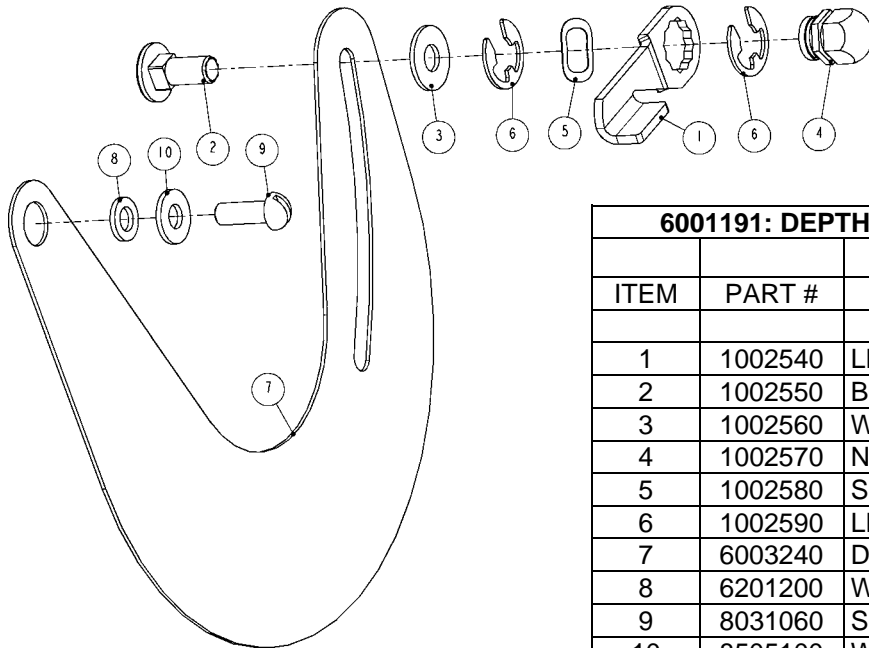
BLADE DEPTH GAUGE

DEPTH GAUGE FOR 9" & 10" BLADE



6001190: DEPTH GAUGE FOR 9" & 10" BLADE			
ITEM	PART #	DESCRIPTION	QTY
1	1002300	GAUGE - 10"	1
2	1002540	LEVER	1
3	1002550	BOLT	1
4	1002560	WASHER	1
5	1002570	NUT	1
6	1002580	SPRING LOAD	1
7	1002590	LEVER RETAINER	2
8	6201200	WASHER	1
9	8031060	SCREW	1
10	8505100	WASHER	1

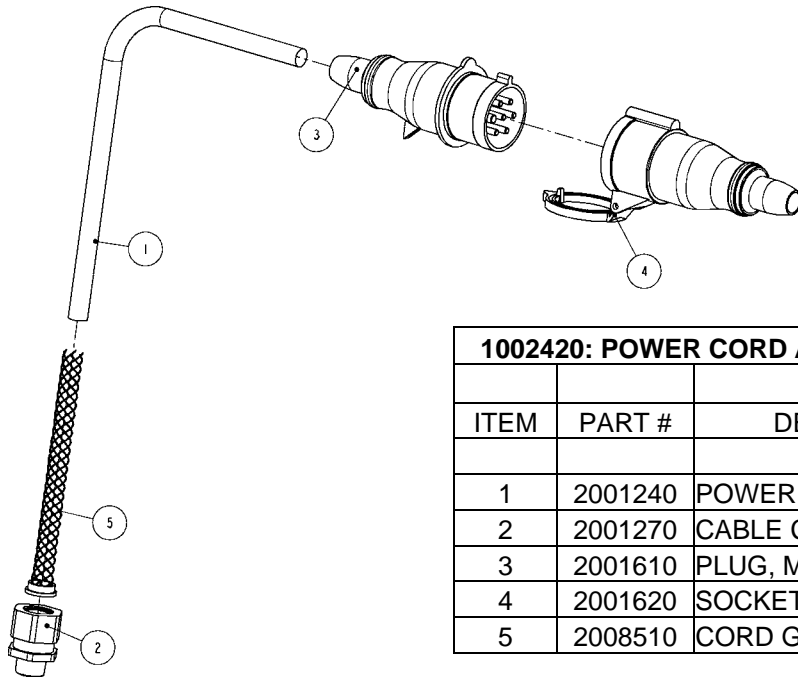
Figure 11 6001190: DEPTH GAUGE FOR 9" & 10" BLADE



6001191: DEPTH GAUGE FOR 8" BLADE			
ITEM	PART #	DESCRIPTION	QTY
1	1002540	LEVER	1
2	1002550	BOLT	1
3	1002560	WASHER	1
4	1002570	NUT	1
5	1002580	SPRING LOAD	1
6	1002590	LEVER RETAINER	2
7	6003240	DEPTH GAUGE	1
8	6201200	WASHER	1
9	8031060	SCREW	1
10	8505100	WASHER	1

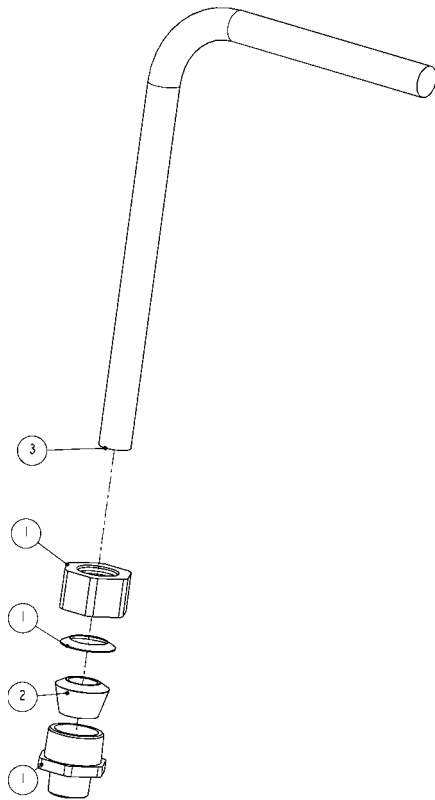
Figure 12 6001191: DEPTH GAUGE FOR 8" BLADE

POWER SUPPLY



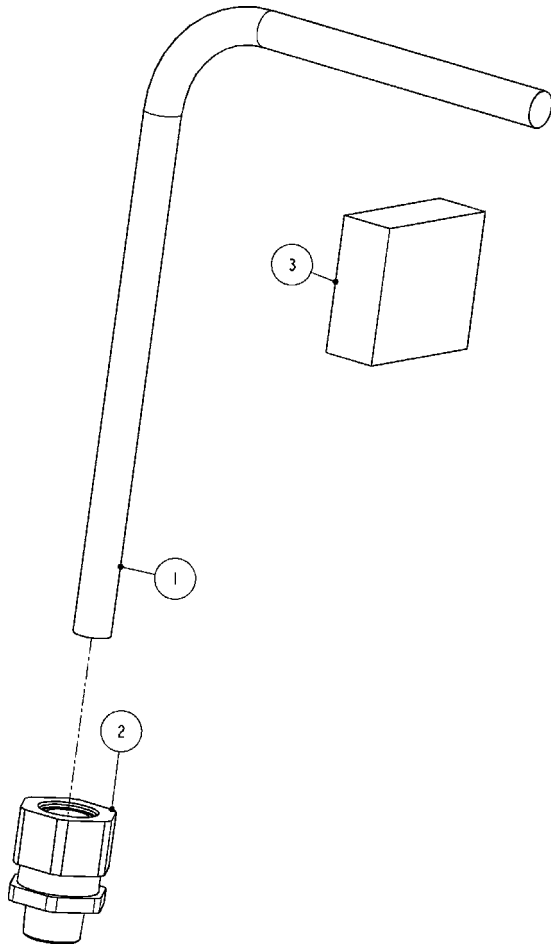
1002420: POWER CORD ASSEMBLY, NON 42V			
ITEM	PART #	DESCRIPTION	QTY
1	2001240	POWER CORD	1
2	2001270	CABLE CONNECTOR	1
3	2001610	PLUG, MALE	1
4	2001620	SOCKET, FEMALE	1
5	2008510	CORD GRIP	1

Figure 13 1002420: POWER CORD ASSEMBLY, NON 42V



1002430: POWER CORD ASSEMBLY, 42V			
ITEM	PART #	DESCRIPTION	QTY
1	2001270	CABLE CONNECTOR	1
2	2001700	GROMMET	1
3	2007030	POWER CORD	1

Figure 14 1002430: POWER CORD ASSEMBLY, 42V



1002425: POWER CORD, NON 42V, w/ATD			
ITEM	PART #	DESCRIPTION	QTY
1	2001080	POWER CORD	1
2	2001270	CABLE CONNECTOR	1
3	2009120	TIMER	1

TIMER (ITEM #3), ANTI – TIE DOWN UNIT, IS PLACED IN MAGNETIC STARTER BOX.

Figure 15 1002425: POWER CORD, NON 42V, w/ATD

WIRING DIAGRAM

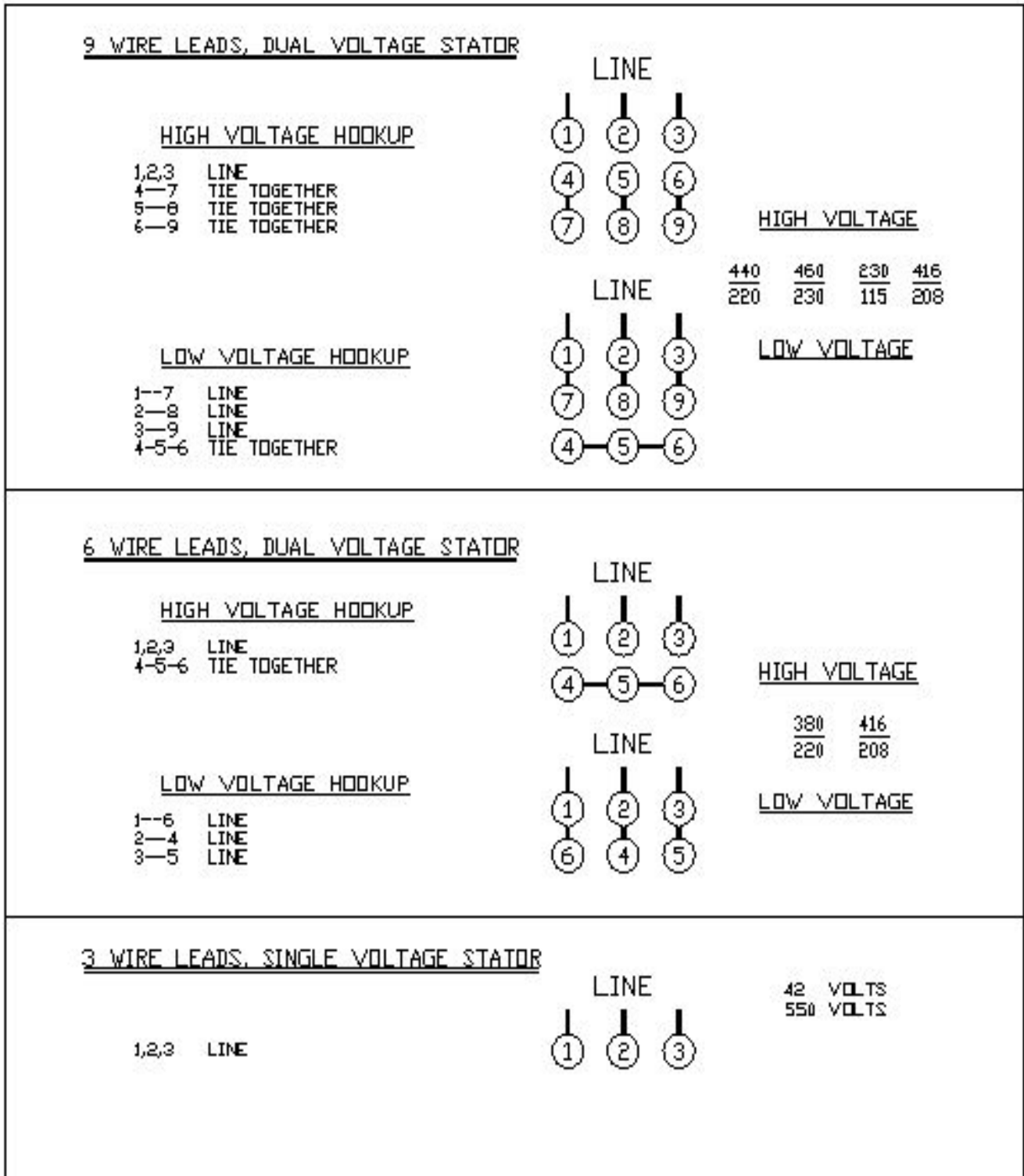
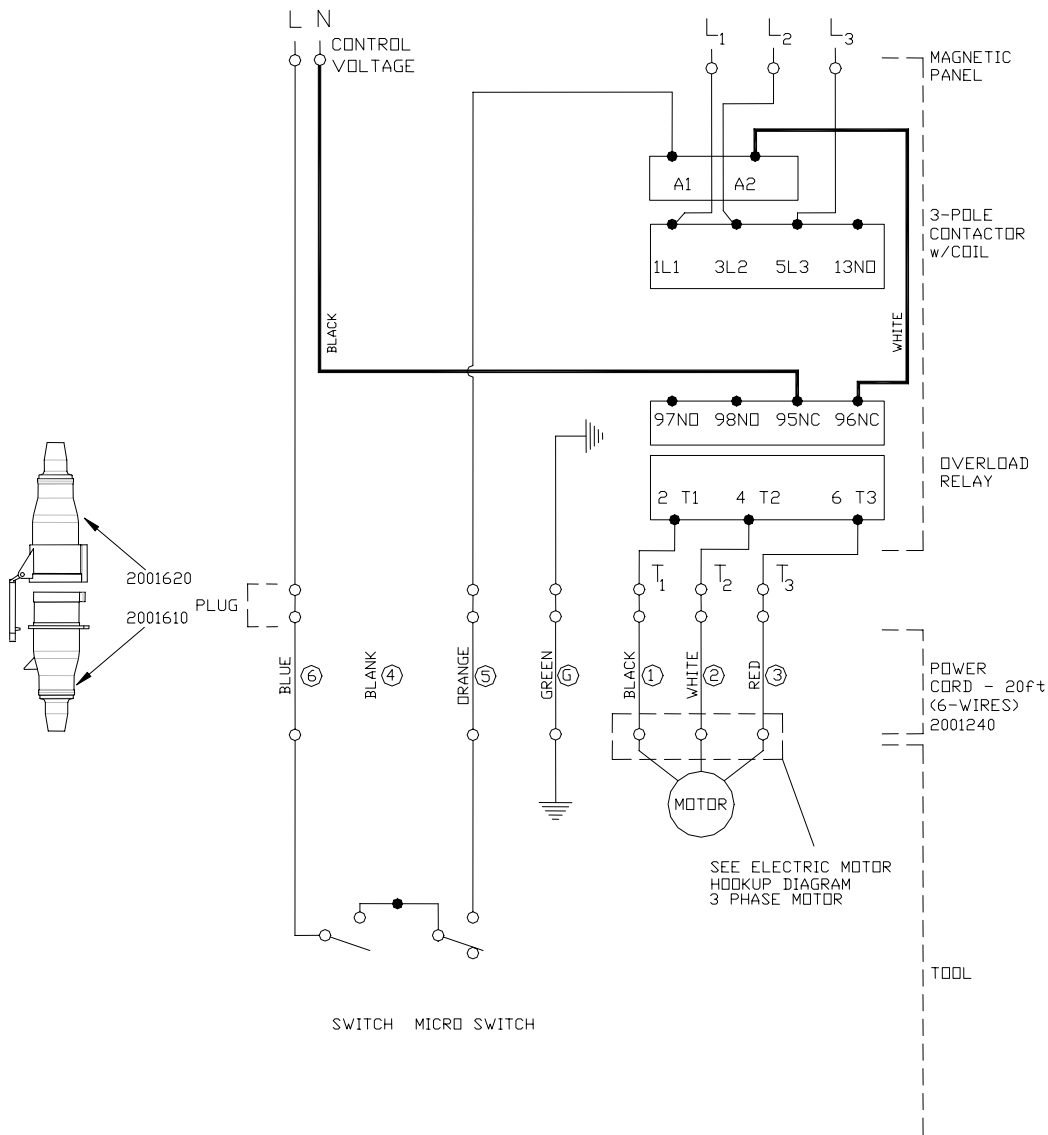


Figure 16 ELECTRIC MOTOR LEAD HOOKUP DIAGRAM

3 PHASE – DIFFERENT MOTOR AND CONTROL VOLTAGE, w/o ATD



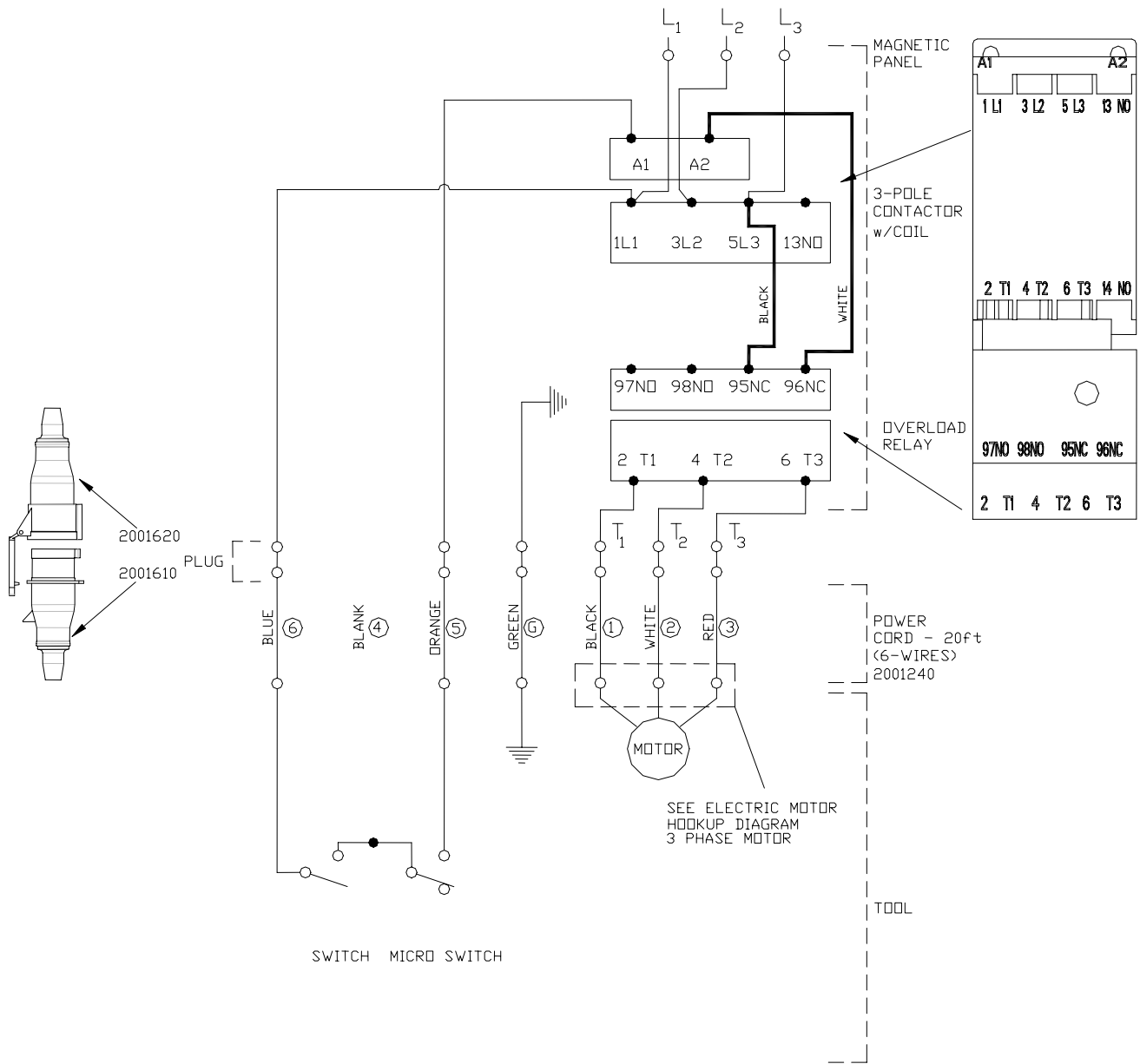
NOTES:

1. DO NOT ATTEMPT OR MAKE REPAIRS ON THE MACHINE WHILE POWER IS ON.
2. ALL ELECTRICAL WORK MUST BE PERFORMED BY A QUALIFIED ELECTRICIAN.
3. THE ELECTRICAL DIAGRAM SHOWS THE MACHINE IN THE “OFF” POSITION.
4. THE GROUND WIRE (GREEN) OF THE POWER CABLE IS CONNECTED TO THE FRAME OF THE MACHINE.

To obtain the correct Kentmaster part number for 3-pole contactor and overload relay, please contact the Kentmaster representative.

Figure 17 WIRING DIAGRAM – different control and motor voltage, w/o ATD

3 PHASE – SAME MOTOR AND CONTROL VOLTAGE, w/o ATD



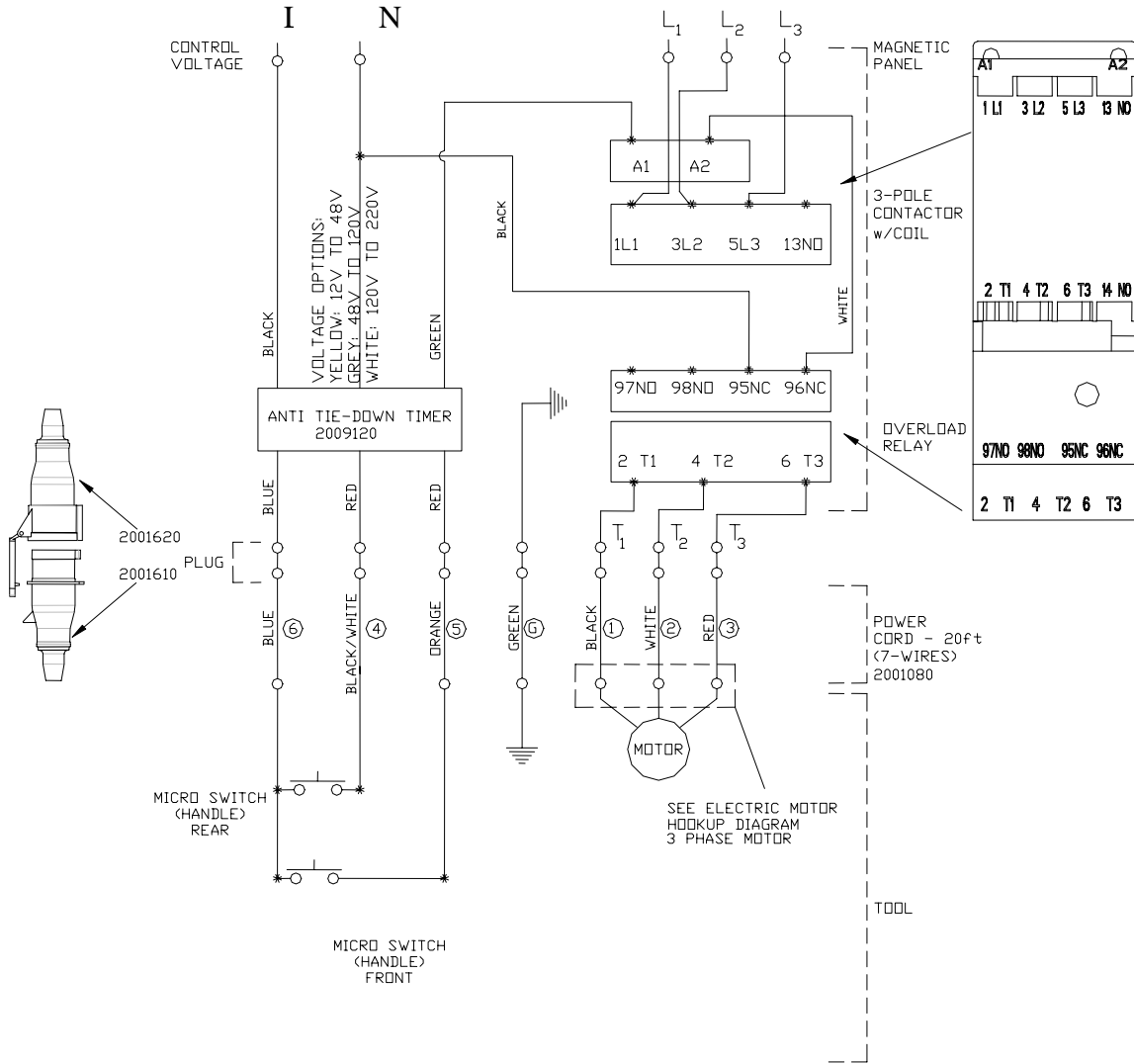
NOTES:

1. DO NOT ATTEMPT OR MAKE REPAIRS ON THE MACHINE WHILE POWER IS ON.
2. ALL ELECTRICAL WORK MUST BE PERFORMED BY A QUALIFIED ELECTRICIAN.
3. THE ELECTRICAL DIAGRAM SHOWS THE MACHINE IN THE “OFF” POSITION.
4. THE GROUND WIRE (GREEN) OF THE POWER CABLE IS CONNECTED TO THE FRAME OF THE MACHINE.

To obtain the correct Kentmaster part number for 3-pole contactor and overload relay, please contact the Kentmaster representative.

Figure 18 WIRING DIAGRAM – same control and motor voltage, w/o ATD

3 PHASE – DIFFERENT MOTOR AND CONTROL VOLTAGE, with ATD



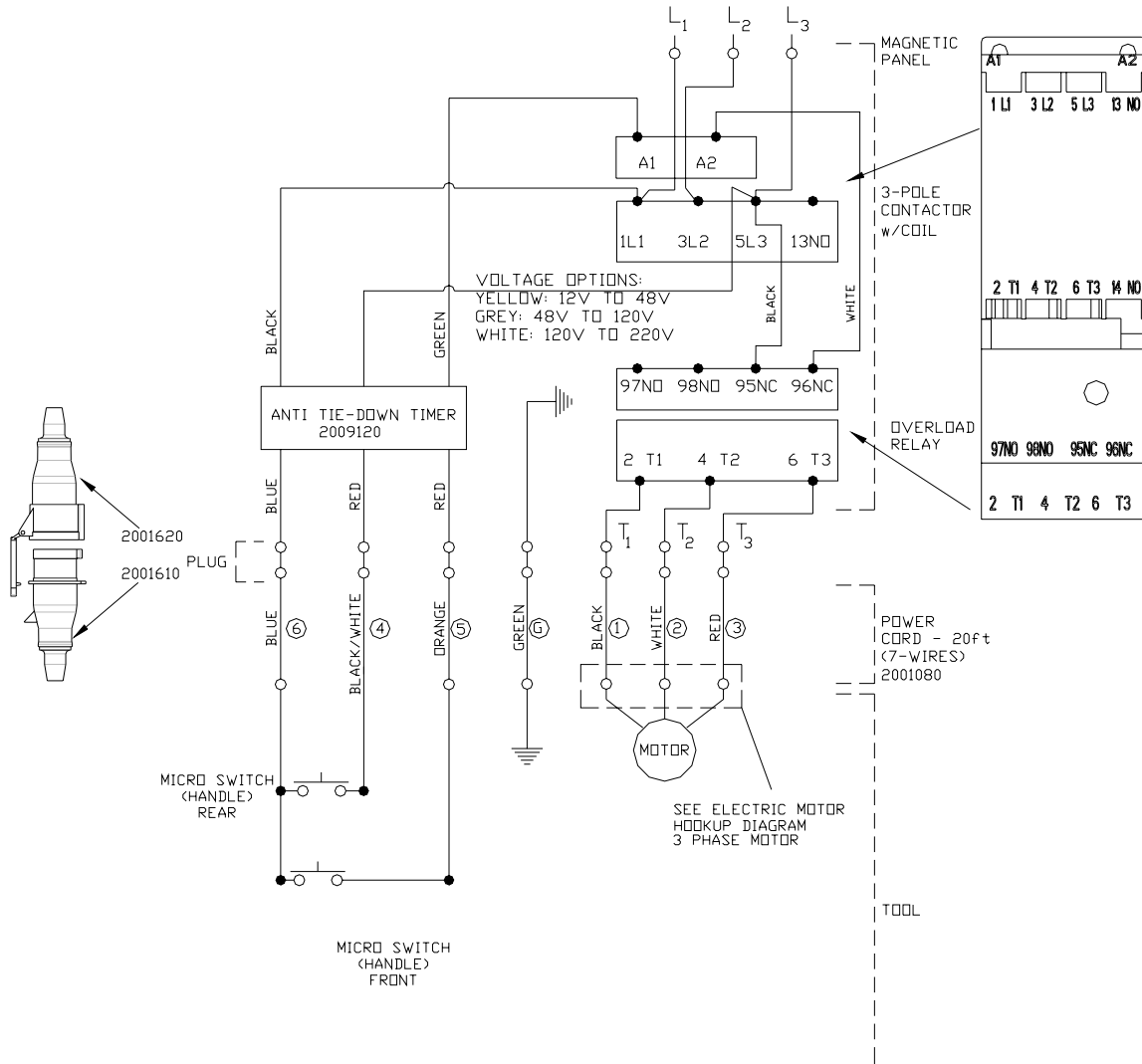
NOTES:

5. DO NOT ATTEMPT OR MAKE REPAIRS ON THE MACHINE WHILE POWER IS ON.
6. ALL ELECTRICAL WORK MUST BE PERFORMED BY A QUALIFIED ELECTRICIAN.
7. THE ELECTRICAL DIAGRAM SHOWS THE MACHINE IN THE “OFF” POSITION.
8. THE GROUND WIRE (GREEN) OF THE POWER CABLE IS CONNECTED TO THE FRAME OF THE MACHINE.

To obtain the correct Kentmaster part number for 3-pole contactor and overload relay, please contact the Kentmaster representative.

Figure 19 WIRING DIAGRAM – different control and motor voltage, with ATD

3 PHASE – SAME MOTOR AND CONTROL VOLTAGE, with ATD



NOTES:

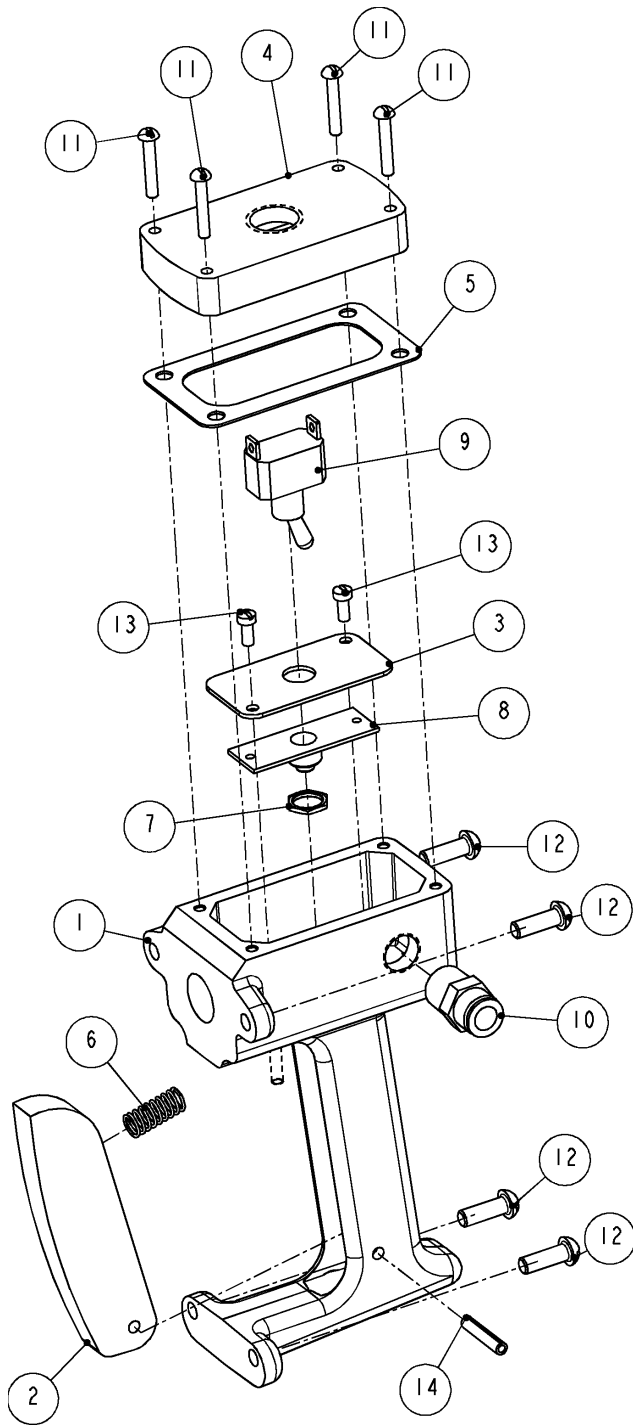
- 9. DO NOT ATTEMPT OR MAKE REPAIRS ON THE MACHINE WHILE POWER IS ON.
- 10. ALL ELECTRICAL WORK MUST BE PERFORMED BY A QUALIFIED ELECTRICIAN.
- 11. THE ELECTRICAL DIAGRAM SHOWS THE MACHINE IN THE “OFF” POSITION.
- 12. THE GROUND WIRE (GREEN) OF THE POWER CABLE IS CONNECTED TO THE FRAME OF THE MACHINE.

To obtain the correct Kentmaster part number for 3-pole contactor and overload relay, please contact the Kentmaster representative.

Figure 20 WIRING DIAGRAM – same control and motor voltage, with ATD

HANDLES

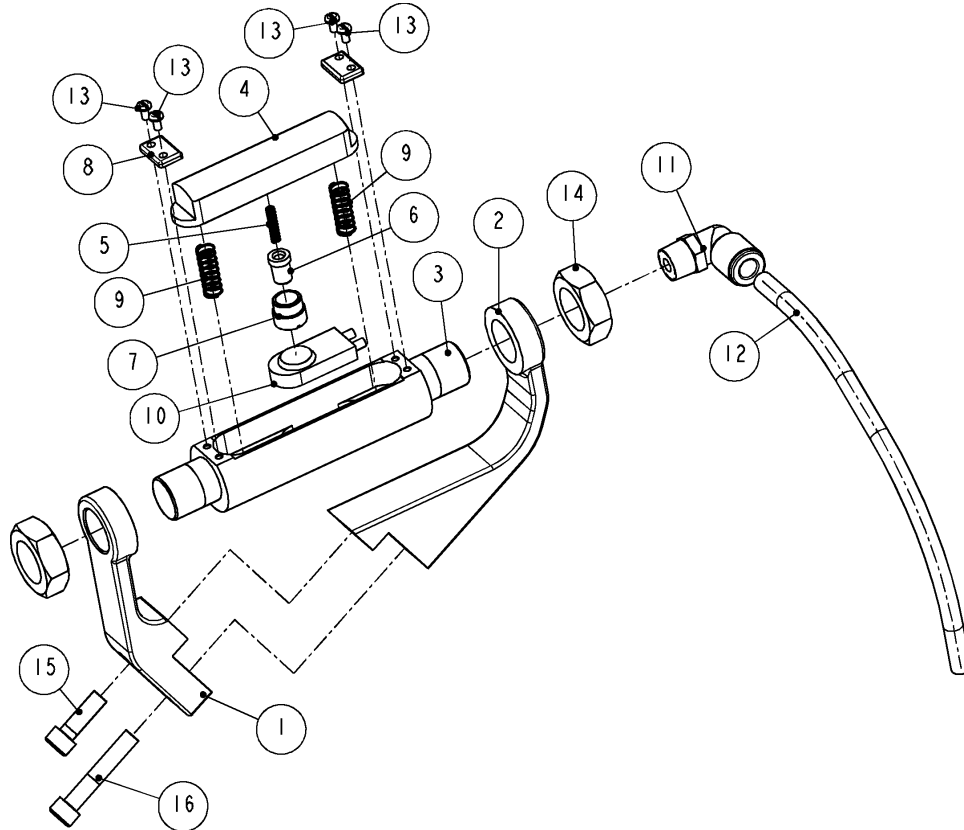
REAR HANDLE



1001560: REAR HANDLE ASSEMBLY			
ITEM	PART #	DESCRIPTION	QTY
1	1000260	HANDLE	1
2	1000380	TRIGGER	1
3	1000450	PLATE - SWITCH MOUNT	1
4	1001570	COVER - SWITCH HANDLE	1
5	1002050	GASKET	1
6	1500110	SPRING	1
7	2000080	LOCKNUT	1
8	2000090	BOOT - MOISTURE SEAL	1
9	2000540	SWITCH	1
10	7036150	FITTING	1
11	8028080	SCREW	4
12	8031060	SCREW	4
13	8068030	SCREW	2
14	8613160	PIN	1

Figure 21 1001560: REAR HANDLE ASSEMBLY

FRONT HANDLE

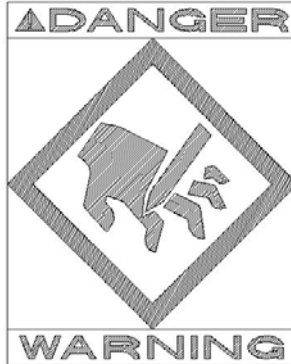


1003900: FRONT HANDLE			
ITEM	PART #	DESCRIPTION	QTY
1	1003840	BRACKET, RIGHT- HANDLE	1
2	1003850	BRACKET, LEFT - HANDLE	1
3	1302420	HANDLE	1
4	1302430	TRIGGER	1
5	1302440	SPRING	1
6	1302450	PLUNGER	1
7	1302460	HOLDER, PLUNGER	1
8	1302470	HOLDER	2
9	1701550	SPRING	2
10	2000690	SWITCH	1
11	7036450	ELBOW	1
12	7300750	TUBE	1
13	8086020	SCREW	4
14	8500580	NUT	2
15	9213080	SCREW	1
16	9213140	SCREW	1

Figure 22 1003900: FRONT HANDLE

NOTICE TO EMPLOYER AND PURCHASER OF TOOL
NOTICE TO SAFETY DIRECTOR

You have purchased a powerful tool that, if misused, can cause severe injury and harm to your employees. You must instruct your employees in the safe and proper use of this tool and to follow the safety procedures and instructions that have been supplied by the manufacturer of this tool. Please follow the following instructions.



1. Instruct tool operators to test the tool each day before using it to be sure it does not malfunction. Remove and repair any tool that malfunctions.
2. Instruct tool operators to immediately stop using a tool that malfunctions or is defective.
3. Instruct personnel to immediately remove all tools that malfunction. Be sure to disconnect tool from power supply.
4. Instruct all personnel to stay clear of tool, and not to stand or walk in front of, or next to tool when in use.
5. Point out to all personnel the dangers related to the misuse of tool and the importance of following safety procedures and instructions.
6. Do not make, or allow others to make, alterations or modifications to this tool. Replace all lost or illegible labels.
7. Follow all safety, installation and maintenance instructions provided with this tool. Establish proper safety procedures in accordance with local and national requirements to prevent accidental energizing of tool that can cause injuries.
8. If this tool is sold or change in ownership takes place, you must provide the new owner all safety instructions, notices and maintenance instructions you were originally provided. You can obtain additional copies of the instructions from Kentmaster, free of charge upon request.
9. Give copies of instructions to:
(A) Tool Operators
(B) Maintenance Supervisor
(C) Clean-up Supervisor

KENTMASTER MFG. CO., INC. 1801 SOUTH MOUNTAIN AVE., MONROVIA, CALIFORNIA 91016 UNITED STATES OF AMERICA

☎ **TELEPHONE:** (818) 359-8888 **FAX:** (818) 303-5151

DECLARATION OF CONFORMITY

DECLARATION DE CONFORMITE -DECLARACION DE CONFORMIDAD- ERKLARUNG BEZUGLICH EINHALTUNG DER VORSCHRIFTEN
DICHIARAZIONE DI CONFORMITA . CONFORMITEITSVERKLARING

MANUFACTURED BY:

**KENTMASTER MFG CO., INC.
1801 SOUTH MOUNTAIN AVE.
MONROVIA, CALIFORNIA 91016
UNITED STATES OF AMERICA
TELEPHONE (818) 359-8888 FAX (818) 303-5151**

FABRIQUE PAR:
FABRICADA POR:
HERGESTELLT VON:
FABBRICATO DA:
VERVAARDIGD DOOR:

TYPE / SERIES: MULTI PURPOSE BRAKING SAW

TYPE / SERIE:
TIPO / SERIE:
TYP / SERIE:
TIPO / SERIE:
TYPE / SERIE:

MODEL: SUPER SPEED

MODELE:
MODELO:
MODELL:
MODELLO:
MODEL:

SERIAL NO. RANGE: XXXXX

N SERIE: • GAMA DE No. DE SERIE: • SERIEN-NR.-BEREICH: • NUMERI DI SERIE: • SERIENUMMERS:

This product complies with the following European Community Directives:

Ce produit est conforme aux directives de la Communauté européenne suivantes:
Este producto cumple con las siguientes Directrices de la Comunidad Europea:
Dieses Produkt erfüllt die folgenden Vorschriften der Europäischen Gemeinschaft:
Questo prodotto e conforme alle seguenti direttive CEE:
Dit produkt voldoet aan de volgende EG-richtlijnen:

89/392/EEC, 91/368/EEC, 93/44/EEC, 93/68/EEC

The following Standards were used to verify compliance with the Directives:

Les normes suivantes ont ete utilisees pour verifier la conformite avec les Directives:
Las siguientes Normas se usaron para verificar el cumplimiento de las Directrices:
Folgende Normen wurden angewandt, um erfllung der vorschriften zu bestatigen:
Per verificare la conformita del prodotto alle direttive sono stati usati i seguenti standard:
De volgende normen zijn gebruikt om naleving van de richtlijnen te bevestigen:

EN 292

Approved by: _____

RALPH KARUBIAN MONROVIA, CA. U.S.A

Date: NOV-03-2002

Approuve par:
Aprobado por:
Genehmigt von:
Approvato da:

Date:
Fecha:
Datum:
Data:

Goedgekeurd door: _____

Datum: **NOV-03-2002**

RAY PETO MONROVIA, CA . U.S.A

(Engineering Manager) (Directeur technique) (gerente de ingenieria) (verantwortlicher Konstruktionsleiter) (Responsabile tecnico) (ondersteunend technisch mangar)

Kentmaster Worldwide Location

Kentmaster Equipment (Aust) PTY.LTD.
Unit 2,24 Central Court
Browns Plains Qld. 4118
Australia

Telephone: (07) 3806-8400
Fax: (07) 3806-7933
Australia@Kentmaster.com

Kentmaster do Brasil, Ltda.
Av. Dr. Joao Teodoro No. 805
Bairro De Vila Rezende
13405-240 Piracicaba, SP,
Brazil

Telephone #1: (019) 3 413 3113
Telephone #2: (019)983-4973
Fax: (019) 3 413 3113
Brazil@Kentmaster.com

Kentmaster (IRL) LTD.
Benamore, Dublin Road.
Roscrea,
CO, Tipperary,
Ireland

Telephone: (353) 0505-23292
Fax: (353) 0505-23299
Ireland@Kentmaster.com

Kentmaster Equipment (NZ) LTD.
5 Cooper Street
Havelock North
New Zealand

Telephone #1: (64) 6 8777 857
Telephone #2: 0800 KENTMASTER
Fax: (64) 6 8777 858
NewZealand@Kentmaster.com

Kentmaster South Africa (PTY) LTD.
Johannesburg - S. Africa
Unit 54 Sunnyrock Park
Sunrock Close, Germiston
South Africa

Telephone: (27) 11-455-3748
Fax: (27) 11-455-3749
SouthAfrica@Kentmaster.com

Kentmaster (UK) LTD.
Unit 16 Avonbank Ind. Centre
West Town Rd, Avonmouth-Bristol,
BS11 9DE
England

Telephone: (44) 117-923-5035
Fax: (44)-117-932-9010
UK@Kentmaster.com

Kentmaster Mfg. Co., Inc.
1801 South Mountain Ave.
Monrovia, CA, 91016
USA

Telephone #1: (626) 359-8888
Telephone #2: (800) 421-1477
Fax: (626) 303-5151
info@Kentmaster.com

Kentmaster Omaha
4417 South 139th Street
Omaha, NE, 68137
USA

Telephone #1: (402) 896-3355
Telephone #2: (800) 367-3181
Fax: (402) 896-3311
Omaha@Kentmaster.com
